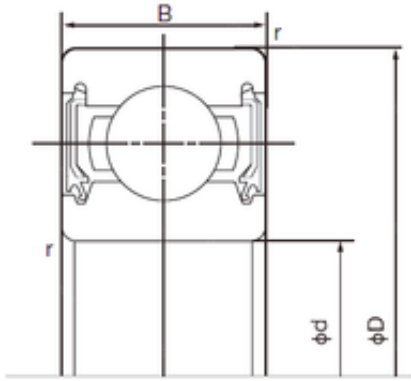


## 6202-2nse9 Red Rubber Seal Japan NACHI Ball Bearing 6202RS

Bearing No. 6202-2nse9



6202-2nse9 Bearing 2D drawings and 3D CAD models

Size	15x35x11 mm
Bore Diameter	15 mm
Outer Diameter	35 mm
Width	11 mm
d	15 mm
D	35 mm
B	11 mm
C	11 mm
r min.	0.6 mm
Basic dynamic load rating (C)	7,65 kN
Basic static load rating (C0)	3,7 kN
Category	Single Row Ball Bearings
Inventory	0.0
Manufacturer Name	NACHI
Minimum Buy Quantity	N/A
Weight / US pound	0.1
Product Group	B00308
Enclosure	2 Seals
Precision Class	ABEC 1   ISO P0
Maximum Capacity / Filling Slot	No
Rolling Element	Ball Bearing
Snap Ring	No
Internal Special Features	No
Cage Material	Steel



## CONSOLIDATED BEARING JAPAN LTD

Enclosure Type	Contact Seal
Internal Clearance	C0-Medium
Inch - Metric	Metric
Long Description	15MM Bore; 35MM Outside Diameter; 11MM Outer Race Width; 2 Seals; Ball Bearing; ABEC 1   ISO P0; No Filling Slot; No Snap Ring; No Internal Special Features; C0-Medium Internal Clearance; Steel Cage;
Other Features	Deep Groove
Category	Single Row Ball Bearing
UNSPSC	31171504
Harmonized Tariff Code	8482.10.50.68
Noun	Bearing
Keyword String	Ball
Manufacturer URL	<a href="http://www.nachi-america.com">http://www.nachi-america.com</a>
Weight / LBS	0.099
Outer Race Width	0.433 Inch   11 Millimeter
Inner Race Width	0 Inch   0 Millimeter
Bore	0.591 Inch   15 Millimeter
Outside Diameter	1.378 Inch   35 Millimeter
Bore Type	Cylindrical Bore
Configuration	Single Row
Weight	0.045 kg
Bore Size	15 mm
Width	11 mm
Fillet Radius/Chamfer	0.6 mm
Dynamic Load Rating	7,650 N
Static Load Rating	3,700 N
Limiting Speed - Grease	15,000 rpm
Factor fo	13.1



## CONSOLIDATED BEARING JAPAN LTD

Radial Clearance	0.003 to 0.018 mm
da (min)	20 mm
Da (max)	30 mm
ra (max)	0.6 mm